



INTEL 380FB PCISSET: 82380AB MOBILE PCI-TO-ISA BRIDGE (MISA)

- PCI Bus at 25 MHz to 33 MHz
- ISA Bus at 7.5 MHz to 8.33 MHz
- 5 Volt ISA and PCI Interfaces
- Full ISA Support Including ISA Masters
- PC/PCI DMA Protocol for Software Transparent, Low Pin Count DMA on ISA
- Supports 3 ISA Slots
- 160-lead MQFP Package

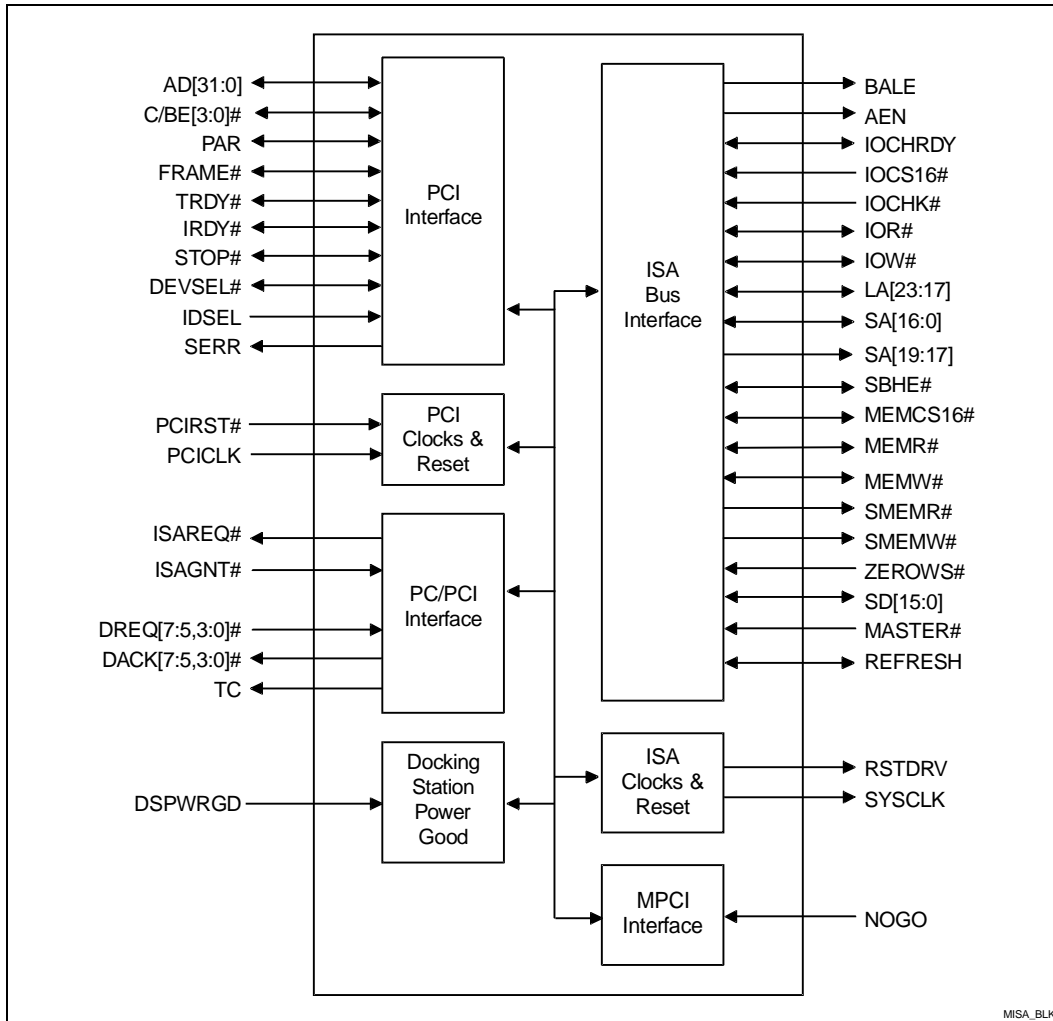
The Intel 380FB PCISet (380FB) consists of the 82380FB Mobile PCI-to-PCI Bridge (MPC12) and the 82380AB Mobile PCI-to-ISA Bridge (MISA). The 380FB provides the logic necessary to build a full Hot Docking capable docking station with 5V PCI and ISA add-in expansion slots. MPC12 provides the docking control for Hot-Insertion, power management and a PCI-to-PCI bridge to a 5V PCI desktop style add-in bus. MISA provides a PCI-to-ISA bridge for a 5V ISA desktop style add-in bus.

MISA provides both a master and slave interface to the PCI bus. As a PCI master, MISA runs cycles on behalf of ISA masters. As a PCI slave, MISA accepts cycles initiated by PCI masters targeted for the MISA's internal configuration registers or ISA Bus.

MISA incorporates a fully ISA Bus compatible master and slave interface. MISA directly drives 3 ISA slots without external data or address buffering. The ISA interface also provides byte swap logic, I/O recovery support, wait-state generation, refresh and SYSCLK generation. MISA supports compatible ISA DMA timings for all 7 DMA channels. MISA integrates ISA refresh logic including refresh address generation and a refresh timer.

MISA implements the PC/PCI DMA protocol for the serialization of the docking station DMA and ISA master requests over the PCI Bus. MISA regenerates ISA DMA cycles from the PC/PCI DMA cycles taking place across the PCI Bus.

Information in this document is provided in connection with Intel products. No license, express or implied, by estoppel or otherwise, to any intellectual property rights is granted by this document or by the sale of Intel products. Except as provided in Intel's Terms and Conditions of Sale for such products, Intel assumes no liability whatsoever, and Intel disclaims any express or implied warranty, relating to sale and/or use of Intel products including liability or warranties relating to fitness for a particular purpose, merchantability, or infringement of any patent, copyright or other intellectual property right. Intel products are not intended for use in medical, life saving, or life sustaining applications. Intel retains the right to make changes to specifications and product descriptions at any time, without notice. The Intel 380FB PCISet may contain design defects or errors known as errata. Current characterized errata are available on request. Third-party brands and names are the property of their respective owners.



82380AB MISA Simplified Block Diagram

CONTENTS

	PAGE
1.0. ARCHITECTURE OVERVIEW	4
2.0. SIGNAL DESCRIPTION	5
2.1. PCI Signals	5
2.2. PC/PCI Signals	6
2.3. ISA Interface Signals	6
2.4. MPC12 Signals	8
2.5. Test and Power Signals	8
3.0. REGISTER DESCRIPTION	9
3.1. PCI Configuration Registers	10
3.1.1. VID—Vendor Identification Register	10
3.1.2. DID—Device Identification Register	10
3.1.3. PCICMD—PCI Command Register	10
3.1.4. PCISTS—PCI Status Register	11
3.1.5. REVID—Revision Identification Register	12
3.1.6. CCODE—Class Code Register	12
3.1.7. HEADT—Header Type Register	12
3.1.8. IO_RCVR—IO Recovery Register	13
3.1.9. MISA_STS—MISA Error Status Register	14
4.0. MISA BUS FUNCTIONAL DESCRIPTION	15
4.1. MISA's Retry Mode	15
4.2. MISA Error Generation	15
4.3. MISA's PC/PCI Support	15
5.0. PINOUT INFORMATION	16
6.0. MISA PACKAGE INFORMATION	19
7.0. TESTABILITY	20

1.0. ARCHITECTURE OVERVIEW

In an Intel 380FB PCIset system, MISA is connected to the secondary bus of the MPC12 device (Figure 1). MPC12 and MISA use a sideband signal to communicate arbitration information between the two devices. MISA provides the functionality described on the first page of this data sheet.

The 380FB provides the logic necessary to build a full Hot Docking capable docking station with 5V PCI and ISA add-in expansion slots. MPC12 provides the docking control for Hot-Insertion, power management and a PCI-to-PCI bridge to a 5V PCI desktop style add-in bus. MISA provides a PCI-to-ISA bridge for a 5V ISA desktop style add-in bus. This document describes the MISA component.

MPC12's Primary and Secondary PCI bus units control the PCI-to-PCI bridge functions. The PCI Arbitration logic provides a secondary PCI arbitrator that handles four PCI request grant pairs for docking station slots. The PC/PCI arbitration interface logic provides PC/PCI bridge support. The Docking Control logic controls all docking, undocking and suspend/resume sequences for the docking station. The E2PROM interface logic provides an industry standard interface to a non-volatile memory device (E2PROM) for supporting dynamic autoconfiguration of a previously configured notebook/docking station combination. The Power management logic provides a control and status interface between the docking station and notebook that allows the docking station to know and control the state of the notebook.

A typical 380FB-based docking system is illustrated in Figure 1. This diagram illustrates all of the major components, busses, important logic blocks, and interconnects.

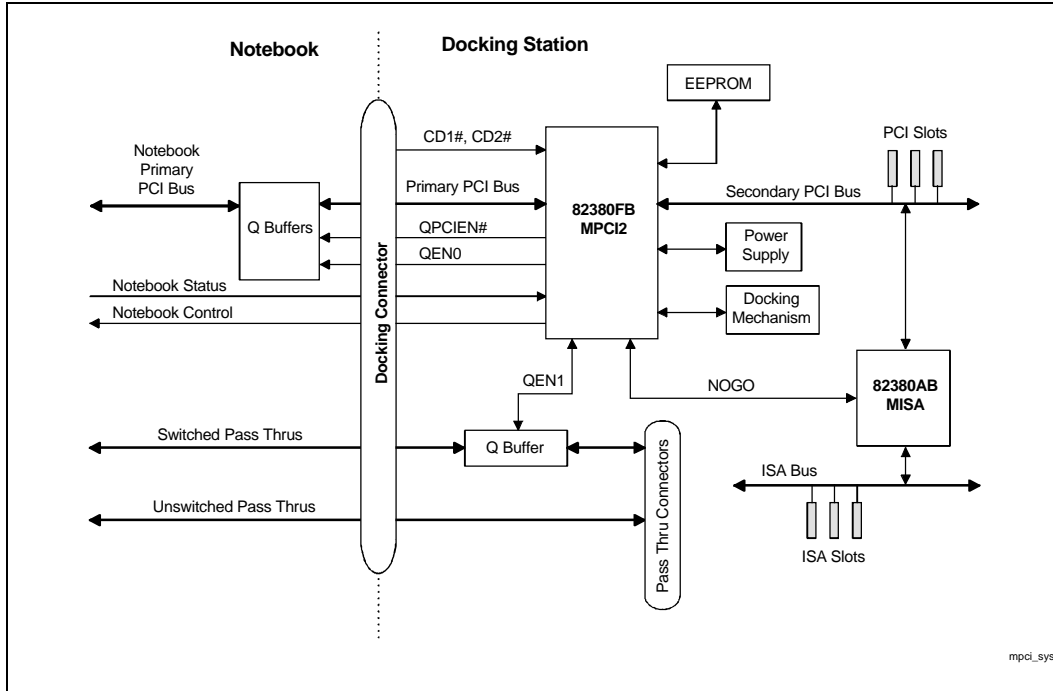


Figure 1. MISA System Block Diagram

2.0. SIGNAL DESCRIPTION

This section provides a detailed description of each signal. The signals are arranged in functional groups according to their associated interface.

The “#” symbol at the end of a signal name indicates that the active, or asserted state occurs when the signal is at a low voltage level. When “#” is not present after the signal name, the signal is asserted when at the high voltage level.

The terms assertion and negation are used extensively. This is done to avoid confusion when working with a mixture of “active-low” and “active-high” signals. The term **assert**, or **assertion** indicates that a signal is active, independent of whether that level is represented by a high or low voltage. The term **negate**, or **negation** indicates that a signal is inactive.

All 3V output signals can drive 5V TTL inputs. The I/O buffer types are shown below:

Buffer Type	Description
I	input-only signal
O	totem pole output
I/O	bi-direction, tri-state input/output pin
s/t/s	sustained tri-state
od	open drain

2.1. PCI Signals

Name	Type	Description
PCICLK	I	PCI Bus System Clock. PCICLK provides timing for all transactions on the PCI bus. All other PCI signals are sampled on the rising edge of PCICLK, and all timing parameters are defined with respect to this edge. PCI operates from 0–33 MHz.
AD[31:0]	I/O	PCI Bus Address and Data Signals. The standard PCI address and data lines. Address is driven with FRAME# assertion, data is driven or received in following clocks.
C/BE[3:0]#	I/O	PCI Bus Command and Byte Enables. During the address phase of a transaction C/BE[3:0]# define the bus command. During the data phase C/BE[3:0]# are used as Byte Enables.
FRAME#	I/O (s/t/s)	Frame Signal. FRAME# is driven by the current PCI bus master to indicate the beginning and duration of an access.
TRDY#	I/O (s/t/s)	Target Ready. TRDY# indicates the target agent’s ability to complete the current data phase of the PCI bus transaction.
IRDY#	I/O (s/t/s)	Initiator Ready. IRDY# indicates the initiating agent’s ability to complete the current data phase of the PCI bus transaction.
STOP#	I/O (s/t/s)	Bus Stop#. STOP# indicates the current target is requesting the master to stop the current PCI bus transaction.
IDSEL	I	Initialization Device Select. IDSEL is used as a chip select during configuration read and write transactions. This signal should be externally tied to one of the upper 21 address signals.

Name	Type	Description
DEVSEL#	I/O (s/t/s)	Device Select. MPC12 drives DEVSEL# to indicate that it is the target of the current PCI bus transaction. MISA uses subtractive decoding and the NOGO protocol to claim PCI transactions.
PAR	I/O	Parity Signal. MISA generates even parity across AD[31:0] and C/BE[3:0]#.
SERR#	od	System Error. SERR# can be pulsed active by any PCI agent that detects a system error condition.

2.2. PC/PCI Signals

Name	Type	Description
ISAREQ#	O	ISA Bus Request. This signal is a point-to-point signal between MISA and a PC/PCI arbiter (like the MPC12). The MISA asserts this signal according to the PC/PCI protocol.
ISAGNT#	I	ISA Bus Grant. This signal is a point-to-point signal between MISA and the MPC12's secondary bus PCPCIGNT# signal. MISA asserts this signal according to the PC/PCI protocol.
DREQ [3:0, 7:5]	I	DMA Request. The DREQ signal indicates that either a slave DMA device is requesting DMA services, or an ISA bus master is requesting use of the ISA bus.
DACK# [3:0, 7:5]	O	DMA Acknowledge. The DACK# signal indicates that either a DMA channel or an ISA bus master has been granted the ISA bus.
TC	O	Terminal Count. The MISA asserts TC to DMA slaves as a terminal count indicator.

2.3. ISA Interface Signals

Name	Type	Description
BALE	O	Bus Address Latch Enable. BALE is an active high signal asserted by the MISA to indicate that the address (SA[19:0], LA[23:17]) and SBHE# signal lines are valid. The LA[23:17] address lines are latched on the trailing edge of BALE. BALE remains asserted throughout DMA and ISA master cycles. BALE is driven low upon PCIRST#.
AEN	O	Address Enable. AEN is asserted during DMA cycles. This signal is also driven high during MISA initiated refresh cycles. AEN is driven low upon PCIRST#.
SYSCLK	O	ISA System Clock. SYSCLK is the reference clock for the ISA bus. The SYSCLK is generated by dividing PCICLK by 3 or 4.
IOCHRDY	I/O	I/O Channel Ready. Resources on the ISA Bus negate IOCHRDY to indicate that additional time (wait states) is required to complete the cycle.
IOCS16#	I	16-bit I/O Chip Select. This signal is driven by I/O devices on the ISA Bus to indicate that they support 16-bit I/O bus cycles.

Name	Type	Description
IOCHK#	I	I/O Channel Check. IOCHK# can be driven by any resource on the ISA bus during on detection of an error.
IOR#	I/O	I/O Read. IOR# is the command to an ISA I/O slave device that the slave may drive data on to the ISA data bus (SD[15:0]).
IOW#	I/O	I/O Write. IOW# is the command to an ISA I/O slave device that the slave may latch data from the ISA data bus (SD[15:0]).
LA[23:17]	I/O	Unlatched Address. The LA[23:17] address lines are bi-directional. These address lines allow accesses to physical memory on the ISA Bus up to 16 Mbytes. LA[23:17] are outputs when the MISA owns the ISA Bus.
SA[19:17]	O	System Address Bus. These are the upper address lines that define the ISA's byte granular address space (up to 1 Mbyte). SA[19:17] are at an unknown state upon PCIRST#.
SA[16:0]	I/O	System Address Bus. These are the bi-directional lower address lines that define the ISA's byte granular address space (up to 1 Mbyte). SA[16:0] are at an unknown state upon PCIRST#.
SBHE#	I/O	System Byte High Enable. SBHE# asserted indicates that a byte is being transferred on the upper byte (SD[15:8]) of the data bus. SBHE# is at an unknown state upon PCIRST#.
MEMCS16#	OD	Memory Chip Select 16. MEMCS16# asserted indicates that the memory slave supports 16-bit accesses.
MEMR#	I/O	Memory Read. MEMR# asserted indicates the current ISA bus cycle is a memory read.
MEMW#	I/O	Memory Write. MEMW# asserted indicates the current ISA bus cycle is a memory write.
SMEMR#	O	Standard Memory Read. SMEMR# asserted indicates the current ISA bus cycle is a memory read cycle to an address below 1 Mbyte.
SMEMW#	O	Standard Memory Write. SMEMW# asserted indicates the current ISA bus cycle is a memory write cycle to an address below 1 Mbyte.
ZEROWS#	I	Zero Wait States. An ISA slave asserts ZEROWS# after its address and command signals have been decoded to indicate that the current cycle can be executed as an ISA zero wait state cycle. ZEROWS# has no effect during 16-bit I/O cycles.
MASTER#	I	MASTER#. This signal is used with a DREQ line by an ISA master to gain control of the ISA Bus.
SD[15:0]	I/O	System Data. SD[15:0] provide the 16-bit data path for devices residing on the ISA Bus. The MISA tri-states SD[15:0] during PCIRST#.
REFRESH#	I/O	Refresh. REFRESH# asserted indicates that a refresh cycle is in progress, or that an ISA master is requesting the MISA to generate a refresh cycle. Upon PCIRST#, this signal is tri-stated.
PCIRST#	I	PCI Reset. MISA receives PCIRST# as a reset from the PCI Bus.

Name	Type	Description
RSTDRV	O	Reset Drive. MISA asserts RSTDRV to reset devices that reside on the ISA Bus. The MISA asserts this signal while the PCIRST# is asserted.
DSPWRGD	I	Docking Station Power Good. This signal should be asserted active when the MISA's power source is stable.

2.4. MPC12 Signals

Name	Type	Description
NOGO	I	NO GO. This signal indicates which master initiated the current transaction and also indicates whether or not the current bus cycle is targeted for the ISA bus. This signal is a point-to-point connection between MPC12 and MISA.

2.5. Test and Power Signals

Name	Type	Description
TESTIN#	I	Test Input. This signal should always be high.
Vcc		5V Supply.
Vss		Ground.

3.0. REGISTER DESCRIPTION

All of the MISA registers are located in PCI configuration space. The registers can be accessed as Byte, Word (16-bit), or Dword (32-bit) quantities. All multi-byte numeric fields use “little-endian” ordering (i.e., lower addresses contain the least significant parts of the field). The following nomenclature is used for access attributes.

- RO** **Read Only.** If a register is read only, writes to this register have no effect.
- R/W** **Read/Write.** A register with this attribute can be read and written.
- R/WC** **Read/Write Clear.** A register bit with this attribute can be read and written. However, a write of 1 clears (sets to 0) the corresponding bit and a write of 0 has no effect.

Some of the MISA registers described in this section contain reserved bits. Software must deal correctly with fields that are reserved. On reads, software must use appropriate masks to extract the defined bits and not rely on reserved bits being any particular value. On writes, software must ensure that the values of reserved bit positions are preserved. That is, the values of reserved bit positions must first be read, merged with the new values for other bit positions and then written back.

In addition to reserved bits within a register, the MISA contains address locations in the PCI configuration space that are marked “Reserved” (Table 2). The MISA responds to accesses to these address locations by completing the Host cycle. Software should not write to reserved MISA configuration locations in the device-specific region (above address offset 3Fh).

During a hard reset (PCIRST# asserted), MISA sets its internal configuration registers to predetermined **default** states.

Table 1. PCI Configuration Registers

Address Offset	Mnemonic	Register Name	Access
PCI Specific Registers			
00–01h	VID	Vendor Identification	RO
02–03h	DID	Device Identification	RO
04–05h	PCICMD	PCI Command Register	R/W
06–07h	PCISTS	PCI Status Register	R/WC
08h	RID	Revision Identification	RO
09–0Bh	CCODE	Class Code	RO
0C–39h	—	Reserved	—
MISA Specific Registers			
40h	IO_RCVR	I/O Recovery Register	R/W
41h	—	Reserved	—
42h	MISA_STS	MISA Error Status Register	RO
43–FFh	—	Reserved	—

3.1. PCI Configuration Registers

3.1.1. VID—VENDOR IDENTIFICATION REGISTER

Address Offset: 00–01h
 Default Value: 8086h
 Attribute: Read Only

The VID Register contains the Intel vendor identification number (8086h). This 16-bit register combined with the Device Identification Register (DID) uniquely identifies MISA device. Writes to this register have no effect.

Bits	Description
15:0	Vendor Identification Number. This is a 16-bit value assigned to Intel (8086h).

3.1.2. DID—DEVICE IDENTIFICATION REGISTER

Address Offset: 02–03h
 Default Value: 123Ch
 Attribute: Read Only

This register contains the device identification number. This register along with the Vendor ID (VID), uniquely identifies the MISA. Writes to this register have no effect.

Bits	Description
15:0	Device Identification Number. This is a 16-bit value assigned to MISA.

3.1.3. PCICMD—PCI COMMAND REGISTER

Address Offset: 04–05h
 Default Value: 0007h
 Attribute: Read/Write

The PCICMD register provides coarse control over the MISA's ability to generate and respond to PCI cycles. When a 0 is written to this register, MISA is logically disconnected from the PCI bus for all accesses except configuration accesses.

Bits	Description
15:10	Reserved.
9	Fast Back to Back Enable. This bit always returns a zero. The MISA does not initiate fast back to back cycles to different devices on the PCI interface.
8	SERR# Enable. 1=Enable. 0=Disable. Controls the enable for the SERR# driver on the PCI interface.
7	Wait Cycle Control (Not Implemented). Hardwired to 0. The MISA does not initiate address stepping.
6	Parity Error Response (Not Implemented). Hardwired to 0. The MISA does not support parity checking.

Bits	Description
5	VGA Palette Snoop Enable (Not Implemented). Hardwired to 0. MISA does not support VGA palette snoops.
4	Memory Write and Invalidate Enable (Not Implemented). Hardwired to 0. The MISA does not initiate memory write and invalidate commands.
3	Special Cycle Enable (Not Implemented). Hardwired to 0. The MISA does not respond as a target to any special cycle transactions.
2	Bus Master Enable. Hardwired to 1. The MISA masters are always able to generate PCI bus master cycles.
1	Memory Space Enable. Hardwired to 1. The MISA's Memory Space is always enabled.
0	I/O Space Enable. Hardwired to 1. The MISA's I/O Space is always enabled.

3.1.4. PCISTS—PCI STATUS REGISTER

Address Offset: 06–07h
 Default Value: 0200h
 Attribute: Read/Write

This register records status information for PCI bus related events. Reads to this register behave normally. Bits in this register can only be set by MISA events (through hardware).

Bits	Description
15	Detected Parity Error. Hardwired to 0. The MISA does not check bus parity.
14	Signaled System Error. This bit is set when the MISA asserts SERR# on the PCI bus.
13	Received Master Abort Status. This bit is set when the MISA is target aborted as a master on the PCI bus. Software sets this bit to 0 by writing a 1 to it.
12	Received Target Abort Status. This bit is set when the MISA target aborts a PCI transaction as a target. Software sets this bit to 0 by writing a 1 to it.
11	Signaled Target Abort Status. This bit is set when the MISA signals a target abort for a PCI transaction. Software sets this bit to 0 by writing a 1 to it.
10:9	DEVSEL# Timing. This 2-bit field always returns a 01b (medium decode). MISA always does a medium decode for PCI configuration accesses (the only types of accesses that MISA does a positive decode for). MISA responds to all other types of accesses through subtractive decoding and the NOGO signal.
8	Data Parity Detected. Hardwired to 0. The MISA does not check bus parity.
7	Fast Back-to-Back. Hardwired to 0. MISA does not support fast back-to-back cycles.
6	66 MHz/33 MHz. Hardwired to 0. MISA's maximum PCI bus frequency is 33 MHz.
5	User Defineable Features (UDF). Hardwired to 0. The MISA does not support any User Definable Features (USF).
4:0	Reserved.

3.1.5. REVID—REVISION IDENTIFICATION REGISTER

Address Offset: 08h
 Default: See latest stepping information
 Access: Read Only

This register contains the revision number of the MISA.

Bits	Description
15:0	Revision Identification Number. This is an 8-bit value that indicates the revision identification number for the MISA (A-Stepping value is 0).

3.1.6. CCODE—CLASS CODE REGISTER

Address Offset: 09–0Bh
 Default Value: 060100h
 Attribute: Read Only

The class code register is a read-only register used to identify the MISA. The MISA returns a value of 060100h when this register is read, indicating a base class of 06h (Bridge), a sub-class code of 01h (PCI-to-ISA bridge), and a programming interface of 00h. Writes to this register have no effect.

Bits	Description
23:16	Base Class Code. Value=06h Bus Bridge
15:8	Sub-Class Code. Value=01h PCI to ISA Bridge
7:0	Programming Interface. Value=00h

3.1.7. HEADT—HEADER TYPE REGISTER

Address Offset: 0Eh
 Default Value: 00h
 Attribute: Read Only

This register is used to indicate that the MISA configuration space adheres to PCI local bus specification. It also indicates that MISA is not a multifunction device.

Bits	Description
7	Multifunction Indicator. Value=0 (Not a multifunction device)
6:0	Layout Code. Value=0 (PCI layout type 00).

3.1.8. IO_RCVR—IO RECOVERY REGISTER

Address Offset: 40h
 Default Value: 4Dh
 Attribute: Read/Write

The I/O recovery mechanism in the MISA is used to add additional recovery delay between PCI Initiated 16-bit and 8-bit I/O cycles to the ISA Bus. The MISA automatically forces a minimum delay of 3.5 SYSCLKs between back-to-back 16-bit and 8-bit I/O cycles to the ISA Bus. This delay is measured from the rising edge of the I/O command (IOR# or IOW#) to the falling edge of the next command. No additional delay is inserted for back-to-back I/O “sub cycles” generated as a result of byte assembly or disassembly.

Bits	Description																				
7	SYSCLOCK Divider Select. 1=Divide PCI clock by 3. 0=Divide PCI clock by 4. Sets how the SYSCLOCK is generated from the PCI clock.																				
6	8-bit I/O Recovery Enable. 1=Enables bits 5:3. 0=Disables bits 5:3 and MISA uses the default 3.5 SYSCLOCKs for 8-bit I/O recovery times.																				
5:3	<p>8-bit I/O Recovery Times. This 3-bit field defines the recovery times for 8-bit I/O cycles. Programmable delays between back-to-back 8-bit PCI cycles to an ISA I/O slave is shown in terms of additional ISA clock recovery cycles (SYSCLOCK). The selected delay programmed into this field is enabled or disabled through bit 6 of this register.</p> <table border="1"> <thead> <tr> <th>Bits [5:3]</th> <th>SYSCLOCK</th> <th>Bits [5:3]</th> <th>SYSCLOCK</th> </tr> </thead> <tbody> <tr> <td>001</td> <td>1</td> <td>101</td> <td>5</td> </tr> <tr> <td>010</td> <td>2</td> <td>110</td> <td>6</td> </tr> <tr> <td>011</td> <td>3</td> <td>111</td> <td>7</td> </tr> <tr> <td>100</td> <td>4</td> <td></td> <td></td> </tr> </tbody> </table>	Bits [5:3]	SYSCLOCK	Bits [5:3]	SYSCLOCK	001	1	101	5	010	2	110	6	011	3	111	7	100	4		
Bits [5:3]	SYSCLOCK	Bits [5:3]	SYSCLOCK																		
001	1	101	5																		
010	2	110	6																		
011	3	111	7																		
100	4																				
2	16-bit I/O Recovery Enable.																				
1:0	<p>16-bit I/O Recovery Times. This 2-bit field defines the recovery times for 8-bit I/O cycles. Programmable delays between back-to-back 16-bit PCI cycles to an ISA I/O slave is shown in terms of additional ISA clock recovery cycles (SYSCLOCK). The selected delay programmed into this field is enabled or disabled through bit 2 of this register.</p> <table border="1"> <thead> <tr> <th>Bits [1:0]</th> <th>SYSCLOCK</th> </tr> </thead> <tbody> <tr> <td>01</td> <td>1</td> </tr> <tr> <td>10</td> <td>2</td> </tr> <tr> <td>11</td> <td>3</td> </tr> <tr> <td>00</td> <td>4</td> </tr> </tbody> </table>	Bits [1:0]	SYSCLOCK	01	1	10	2	11	3	00	4										
Bits [1:0]	SYSCLOCK																				
01	1																				
10	2																				
11	3																				
00	4																				

3.1.9. MISA_STS—MISA ERROR STATUS REGISTER

Address Offset: 42h
 Default Value: 00h
 Attribute: Read Only

This register reflects the error status of the ISA interface.

Bits	Description
7:3	Reserved.
2	IOCHK# Pin State. This bit reflects the inverse state of IOCHK# pin on the ISA Bus. When this bit is set, the MISA pulses SERR# (if enabled via the PCICMD register).
1	Reserved.
0	Byte Lane Error (BYTERR). This bit is set if MISA detects an illegal byte lane combination for a PCI I/O cycle. When this condition is detected, the MISA signals a target abort and pulses the SERR# signal (if enabled via the PCICMD register).

4.0. MISA BUS FUNCTIONAL DESCRIPTION

MISA masters are only allowed to access system memory on the PCI bus. I/O accesses from an ISA Master to a PCI slave are not supported. The MISA is configured through type 0 configuration cycles to its PCI configuration space. The MISA performs the following functions:

- Translates PCI cycles to MISA configuration accesses or ISA bus cycles.
- Translates MISA master accesses to PCI bus cycles.
- Translates PC/PCI DMA cycles to ISA DMA accesses.
- Performs ISA bus refresh cycles initiated by a 15 μ s timer or requested by an ISA master.

4.1. MISA's Retry Mode

Because ISA masters cannot be backed off the ISA bus or ISA DMA agents can not handle interrupted services, MISA provides a mechanism that prevents any PCI master from accessing it when an ISA DMA agent or PC/PCI DMA agents are still active. When MISA is processing a DMA access or ISA master access that gets retried, MISA will release control of the bus to allow the retrying target to empty its write buffers (by executing a passive retry). While in a passive retry state, MISA will retry all PCI master accesses targeted for the ISA bus. MISA continues in this state until MISA is granted the bus again and is allowed to complete.

4.2. MISA Error Generation

MISA checks all PCI master transactions for legal byte lane combinations. If MISA detects a PCI I/O command with an illegal byte lane combination, it will terminate the cycle and not pass it on to the ISA bus. MISA does not support PCI bursting and disconnects accesses after the first transaction has completed.

MISA only generates a system error (SERR#) if an ISA card asserts the IOCHK# signal active or if MISA detects a byte lane mismatch condition. To enable generation of a system error, the SERR enable bit in the PCICMD register must be set to 1.

4.3. MISA's PC/PCI Support

MISA supports PC/PCI DMA and arbitration protocols. See the Intel "Mobile PC/PCI DMA Arbitration And Protocols Revision 1.0" for further details.

5.0. PINOUT INFORMATION

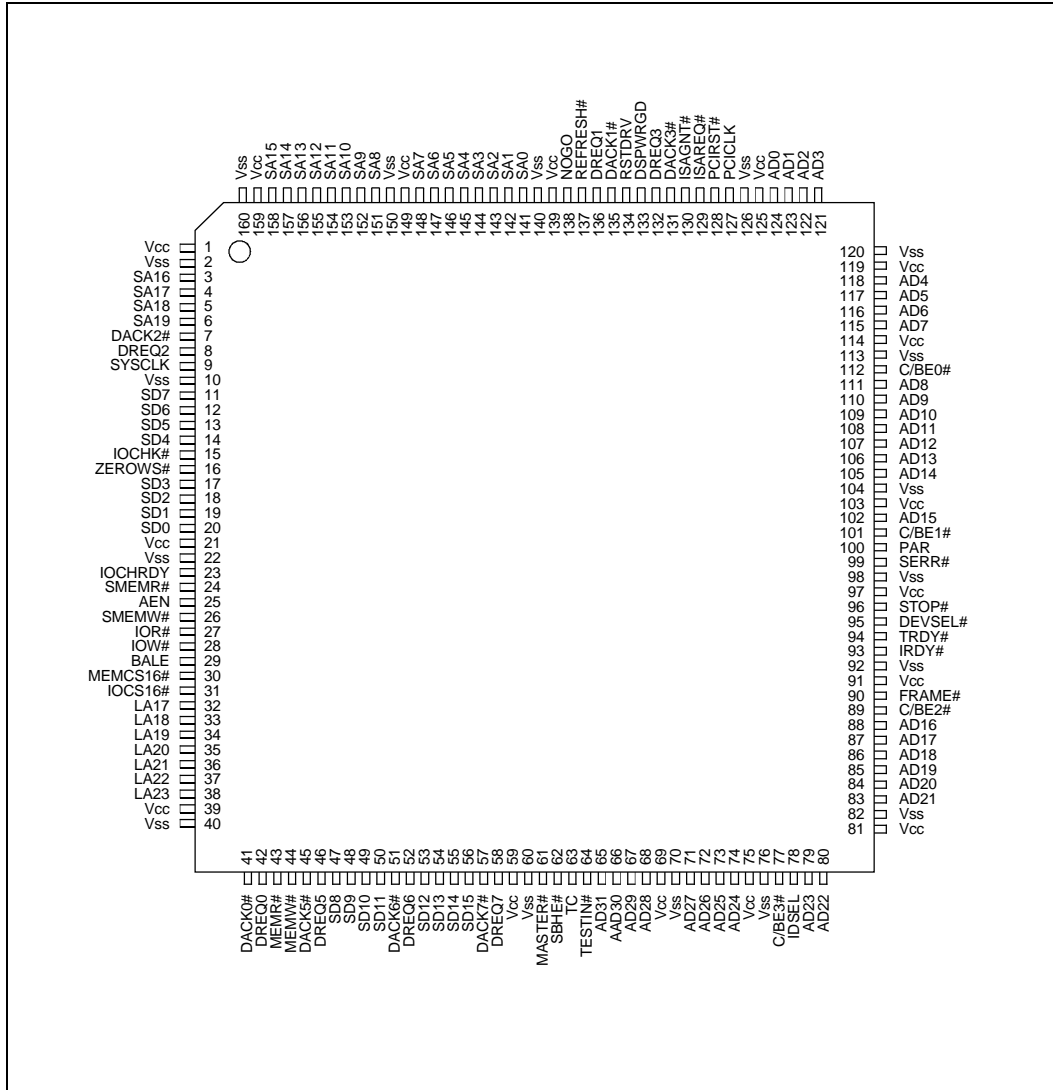


Figure 2. 82380AB MISA Pinout

Table 2. MISA Alphabetical Pin Assignment

Name	Pin	Type
AD0	124	I/O
AD1	123	I/O
AD2	122	I/O
AD3	121	I/O
AD4	118	I/O
AD5	117	I/O
AD6	116	I/O
AD7	115	I/O
AD8	111	I/O
AD9	110	I/O
AD10	109	I/O
AD11	108	I/O
AD12	107	I/O
AD13	106	I/O
AD14	105	I/O
AD15	102	I/O
AD16	88	I/O
AD17	87	I/O
AD18	86	I/O
AD19	85	I/O
AD20	84	I/O
AD21	83	I/O
AD22	80	I/O
AD23	79	I/O
AD24	74	I/O
AD25	73	I/O
AD26	72	I/O
AD27	71	I/O
AD28	68	I/O
AD29	67	I/O
AD30	66	I/O
AD31	65	I/O
AEN	25	O
BALE	29	O

Table 2. MISA Alphabetical Pin Assignment

Name	Pin	Type
C/BE0#	112	I/O
C/BE1#	101	I/O
C/BE2#	89	I/O
C/BE3#	77	I/O
DACK0#	41	O
DACK1#	135	O
DACK2#	7	O
DACK3#	131	O
DACK5#	45	O
DACK6#	51	O
DACK7#	57	O
DEVSEL#	95	s/t/s
DREQ0	42	I
DREQ1	136	I
DREQ2	8	I
DREQ3	132	I
DREQ5	46	I
DREQ6	52	I
DREQ7	58	I
DSPWRGD	133	I
FRAME#	90	s/t/s
IDSEL	78	I
IOCHK#	15	I
IOCHRDY	23	I/O
IOCS16#	31	I
IOR#	27	I/O
IOW#	28	I/O
IRDY#	93	s/t/s
ISAGNT#	130	I
ISAREQ#	129	O
LA17	32	I/O
LA18	33	I/O
LA19	34	I/O
LA20	35	I/O

Table 2. MISA Alphabetical Pin Assignment

Name	Pin	Type
LA21	36	I/O
LA22	37	I/O
LA23	38	I/O
MASTER#	61	I
MEMCS16#	30	OD
MEMR#	43	I/O
MEMW#	44	I/O
NOGO	138	I
PAR	100	I/O
PCICLK	127	I
PCIRST#	128	I
REFRESH#	137	I/O
RSTDRV	134	O
SA00	141	I/O
SA1	142	I/O
SA2	143	I/O
SA3	144	I/O
SA4	145	I/O
SA5	146	I/O
SA6	147	I/O
SA7	148	I/O
SA8	151	I/O
SA9	152	I/O
SA10	153	I/O
SA11	154	I/O
SA12	155	I/O
SA13	156	I/O
SA14	157	I/O
SA15	158	I/O
SA16	3	I/O
SA17	4	O
SA18	5	O
SA19	6	O
SBHE#	62	I/O

PRELIMINARY

Table 2. MISA Alphabetical
Pin Assignment

Name	Pin	Type
SD0	20	I/O
SD1	19	I/O
SD2	18	I/O
SD3	17	I/O
SD4	14	I/O
SD5	13	I/O
SD6	12	I/O
SD7	11	I/O
SD8	47	I/O
SD9	48	I/O
SD10	49	I/O
SD11	50	I/O
SD12	53	I/O
SD13	54	I/O
SD14	55	I/O
SD15	56	I/O
SERR#	99	OD
SMEMR#	24	O
SMEMW#	26	O
STOP#	96	s/t/s

Table 2. MISA Alphabetical
Pin Assignment

Name	Pin	Type
SYSClk	9	O
TC	63	O
TESTIN#	64	I
TRDY#	94	s/t/s
ZEROWS#	16	I
Vcc	1	—
Vcc	21	—
Vcc	39	—
Vcc	59	—
Vcc	69	—
Vcc	75	—
Vcc	81	—
Vcc	91	—
Vcc	97	—
Vcc	103	—
Vcc	113	—
Vcc	119	—
Vcc	125	—
Vcc	139	—
Vcc	149	—

Table 2. MISA Alphabetical
Pin Assignment

Name	Pin	Type
Vcc	159	—
Vss	2	—
Vss	10	—
Vss	22	—
Vss	40	—
Vss	60	—
Vss	70	—
Vss	76	—
Vss	82	—
Vss	92	—
Vss	98	—
Vss	104	—
Vss	114	—
Vss	120	—
Vss	125	—
Vss	140	—
Vss	150	—
Vss	160	—

6.0. MISA PACKAGE INFORMATION

The MISA comes in an industry standard 160-lead MQFP package.

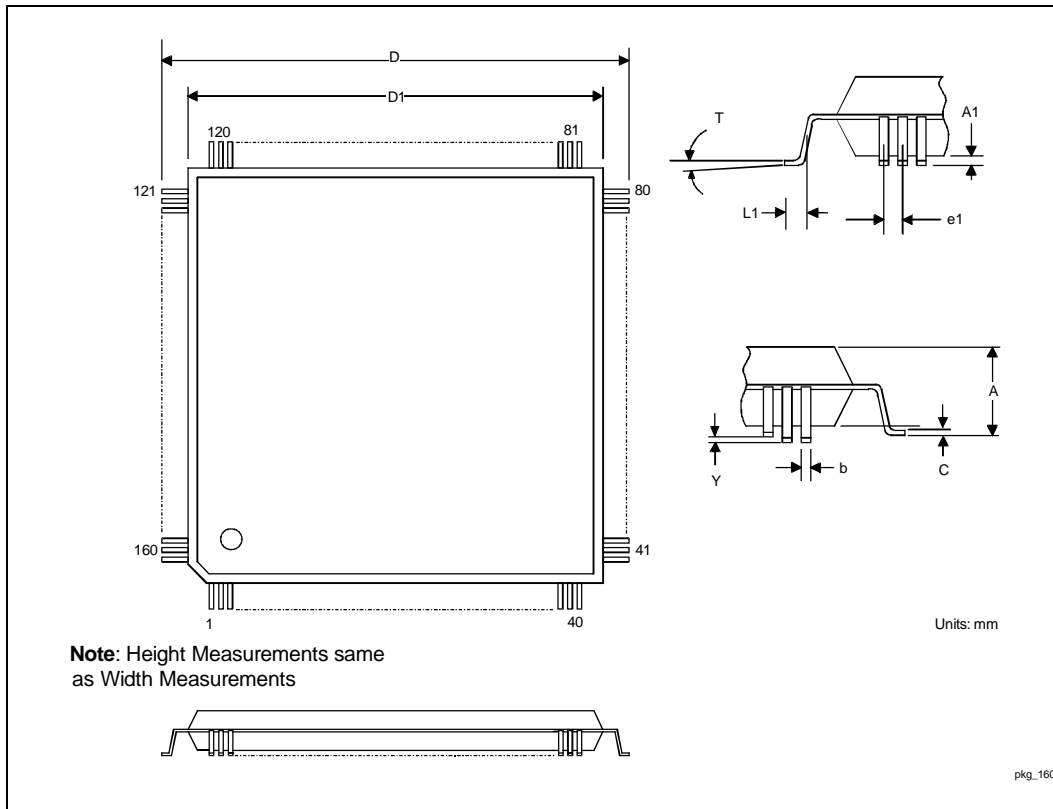


Figure 3. 82380AB 160-Pin MQFP

Table 3. 82380AB 160-Pin MQFP Dimensions

Symbol	Dimension in Millimeters		
	Minimum	Nominal	Maximum
A		3.70	4.10
A1	0.25	0.33	0.45
b	0.24	0.32	0.40
C	0.10	0.15	0.25
D	30.3	30.6	30.9
D1	27.9	28.0	28.1
e1	0.55	0.65	0.75
L1	0.5	0.6	0.7
Y			0.10
T	0		10

7.0. TESTABILITY

The MISA provides Tri-state and NAND Tree test modes. The test modes are selected from DREQ[6:5] inputs when the TESTIN# is active (Table 4).

Table 4. Test Modes

Test Mode	TESTIN#	DREQ6	DREQ5
Normal operation	1	x	x
Tristate Test	0	0	0
NAND Chain Test	0	0	1
Reserved	0	1	x

NOTES:

1. Care should be taken to avoid the “reserved” input combination

Tri-state Test

This test mode tristates all outputs including the NAND tree outputs, BALE, and RSTDRV.

NAND Tree Mode

This test mode tristates all outputs and bi-directional buffers except for BALE and RSTDRV. Every output buffer, except BALE and RSTDRV, is configured as an input in NAND Tree mode and included in the NAND chain. The first input of the NAND chain is SA16. The NAND chain is routed counter-clockwise around the chip (e.g., SA16, SA17, SA18,...). BALE is an intermediate output and RSTDRV is the final output. TESTIN#, DREQ6, DREQ5, BALE and RSTDRV pins are not included in the NAND chain.

To perform a NAND Tree test, all pins included in the NAND tree should be driven to 1, beginning with SA16 and working counter-clockwise around the chip. Each pin can be toggled and a resulting toggle can be observed on BALE or RSTDRV.

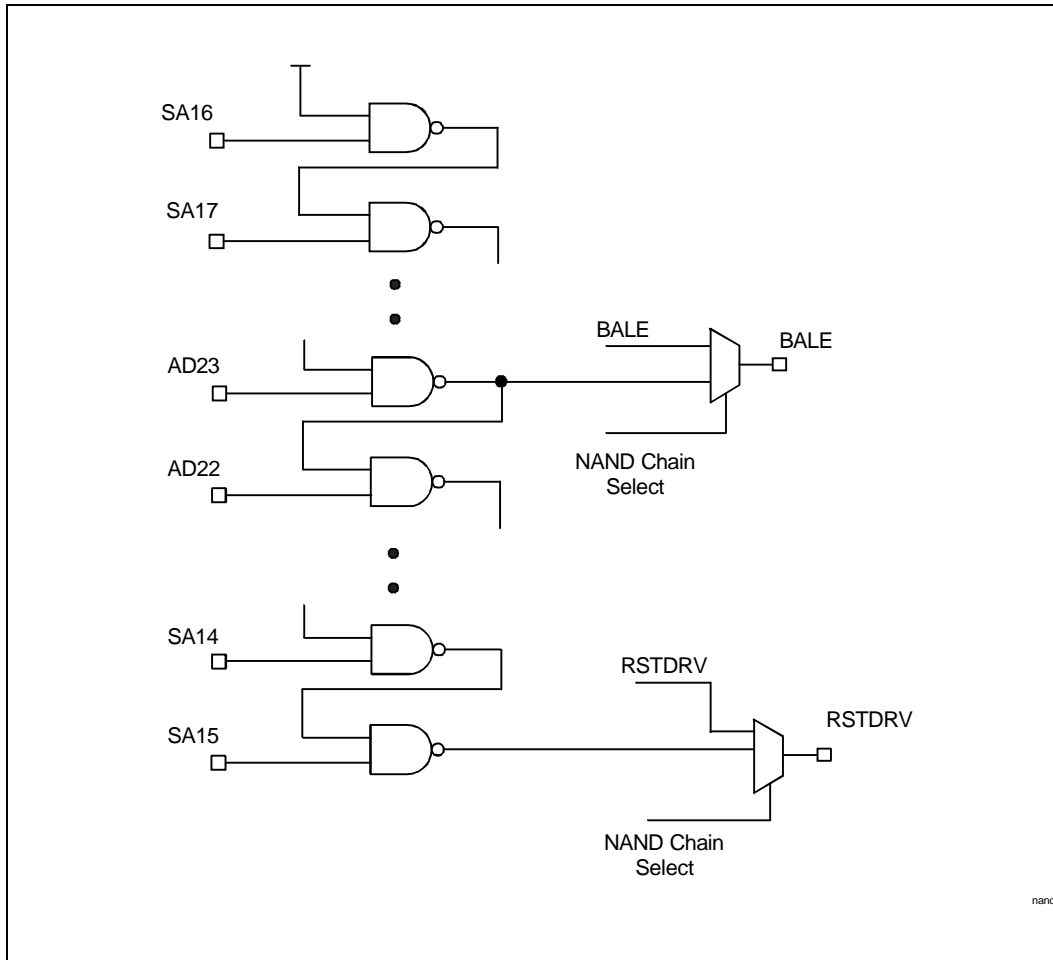


Figure 4. NAND Tree Diagram

Table 5. NAND Chain Order

Pin #	Signal Names	Note
1	Vcc	
2	Vss	
3	SA16	Input to NAND Chain
4	SA17	
5	SA18	
6	SA19	
7	DACK2#	
8	DREQ2	
9	SYSCLK	
10	Vss	
11	SD7	
12	SD6	
13	SD5	
14	SD4	
15	IOCHK#	Inverted input signal
16	ZEROWS#	Inverted input signal
17	SD3	
18	SD2	
19	SD1	
20	SD0	
21	Vcc	
22	Vss	
23	IOCHRDY	
24	SMEMR#	
25	AEN	
26	SMEMW#	
27	IOR#	
28	IOW#	
29	BALE	Not in NAND Chain
30	MEMCS16#	
31	IOCS16#	
32	LA17	
33	LA18	
34	LA19	

Table 5. NAND Chain Order

Pin #	Signal Names	Note
35	LA20	
36	LA21	
37	LA22	
38	LA23	
39	Vcc	
40	Vss	
41	DACK0#	
42	DREQ0	
43	MEMR#	
44	MEMW#	
45	DACK5#	
46	DREQ5	Not in NAND Chain
47	SD8	
48	SD9	
49	SD10	
50	SD11	
51	DACK6#	
52	DREQ6	Not in NAND Chain
53	SD12	
54	SD13	
55	SD14	
56	SD15	
57	DACK7#	
58	DREQ7	
59	Vcc	
60	Vss	
61	MASTER#	
62	SBHE#	
63	TC	
64	TESTIN#	Not in NAND Chain
65	AD31	
66	AD30	
67	AD29	
68	AD28	

Table 5. NAND Chain Order

Pin #	Signal Names	Note
69	Vcc	
70	Vss	
71	AD27	
72	AD26	
73	AD25	
74	AD24	
75	Vcc	
76	Vss	
77	CBE3#	
78	IDSEL	
79	AD23	
80	AD22	Middle of NAND chain
81	Vcc	
82	Vss	
83	AD21	
84	AD20	
85	AD19	
86	AD18	
87	AD17	
88	AD16	
89	CBE2#	
90	FRAME#	
91	Vcc	
92	Vss	
93	IRDY#	
94	TRDY#	
95	DEVSEL#	
96	STOP#	
97	Vcc	
98	Vss	
99	SERR#	
100	PAR	
101	C/BE1#	
102	AD15	
103	Vcc	

Table 5. NAND Chain Order

Pin #	Signal Names	Note
104	Vss	
105	AD14	
106	AD13	
107	AD12	
108	AD11	
109	AD10	
110	AD9	
111	AD8	
112	C/BE0#	
113	Vcc	
114	Vss	
115	AD7	
116	AD6	
117	AD5	
118	AD4	
119	Vcc	
120	Vss	
121	AD3	
122	AD2	
123	AD1	
124	AD0	
125	Vcc	
126	Vss	
127	PCICLK	
128	PCIRST#	Inverted input signal
129	ISAREQ#	
130	ISAGNT#	
131	DACK3#	
132	DREQ3	
133	DSPWG	Inverted input signal
134	RSTDRV	Not in NAND Chain
135	DACK1#	
136	DREQ1	
137	REFRESH#	
138	NOGO	

PRELIMINARY

Table 5. NAND Chain Order

Pin #	Signal Names	Note
139	Vcc	
140	Vss	
141	SA0	
142	SA1	
143	SA2	
144	SA3	
145	SA4	
146	SA5	
147	SA6	
148	SA7	
149	Vcc	

Table 5. NAND Chain Order

Pin #	Signal Names	Note
150	Vss	
151	SA8	
152	SA9	
153	SA10	
154	SA11	
155	SA12	
156	SA13	
157	SA14	
158	SA15	End of Nand Chain
159	Vcc	
160	Vss	