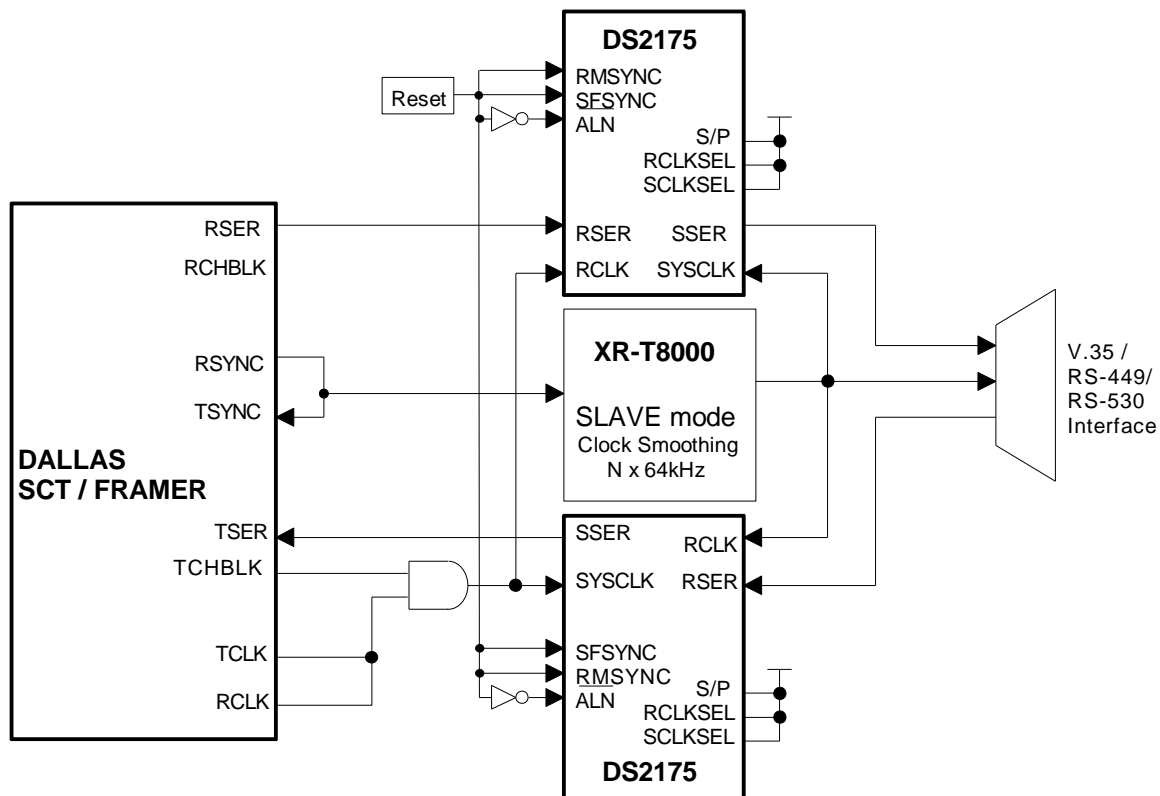


This application note applies to the following products.

T1 Framers	E1 Framers	T1 SCTs	E1 SCTs
DS2141	DS2143	DS2151	DS2153
DS21Q41	DS21Q43	DS2152	DS2154
DS21Q42	DS21Q44	DS21352	DS21354
DS21FF42	DS21FF44	DS21552	DS21554
DS21FT42	DS21FT44	DS21Q552	DS21Q554
		DS21Q352	DS21Q354



Notes:

1. a "looped-timed" application is shown
2. this application assumes the transmit and receive FT1/E1 streams occupy the same channels
3. the idle registers can be used to fill unused channels
4. the used channels do not need to be contiguous
5. reset should be activated after all the clocks are stable
6. RCHBLK can be used in conjunction with TCHBLK to allow up to three additional FT1/E1 ports
7. The XR-T8000 is available from EXAR.