

Preliminary Technical Data

ADP3405/ADP3406

FEATURES

Handles all GSM Baseband Power Management Functions

Four LDOs Optimized for Specific GSM Subsystems

Charges Back-up Capacitor for Real Time Clock Charge Pump and Logic Level Translators for 3 V or 5 V GSM SIM Modules

Ambient Temperature: -20°C to +85°C

Thermally Enhanced 6.1 mm 28 Pin TSSOP Package

APPLICATIONS

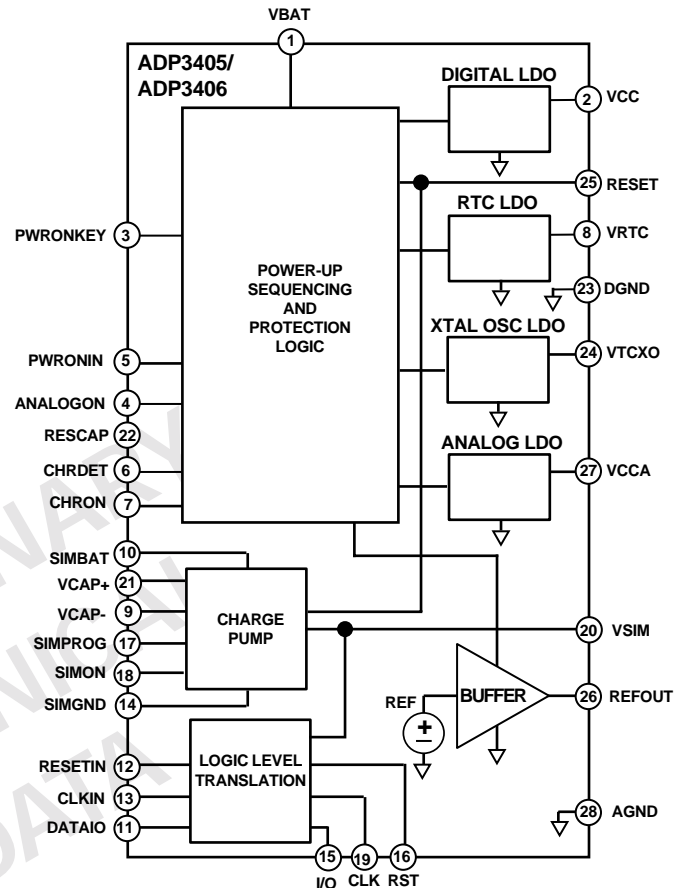
Optimized for use with the AD20msp430 Baseband

Chipset
GSM/DCS/PCS Handsets
TeleMatic Systems
ICO/Iridium Terminals

GENERAL DESCRIPTION

The ADP3405/ADP3406 is a multifunction power system chip optimized for GSM cell phone power management. It contains four LDOs, one to power each of the critical GSM sub-blocks, a step-up converter for the SIM module, and level translation circuitry to adapt logic signals for 3 V or 5 V SIM modules. Sophisticated controls are available for power up during battery charging, keypad interface and charging of a back-up capacitor for the real time clock.

FUNCTIONAL BLOCK DIAGRAM



Rev. PrF

Information furnished by Analog Devices is believed to be accurate and reliable. However, no responsibility is assumed by Analog Devices for its use, nor for any infringements of patents or other rights of third parties which may result from its use. No license is granted by implication or otherwise under any patent or patent rights of Analog Devices.