

REVISIONS

LTR	DESCRIPTION	DATE (YR-MO-DA)	APPROVED

REV																				
SHEET																				
REV																				
SHEET																				

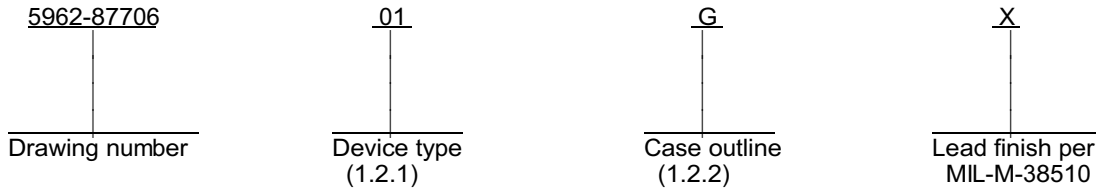
REV STATUS OF SHEETS	REV																			
	SHEET	1	2	3	4	5	6	7	8	9										

PMIC N/A	PREPARED BY Marcia B. Kelleher	DEFENSE ELECTRONICS SUPPLY CENTER DAYTON, OHIO 45444																	
STANDARDIZED MILITARY DRAWING THIS DRAWING IS AVAILABLE FOR USE BY ALL DEPARTMENTS AND AGENCIES OF THE DEPARTMENT OF DEFENSE AMSC N/A	CHECKED BY Ray Monnin	MICROCIRCUIT, LINEAR, PRECISION JFET- INPUT, OPERATIONAL AMPLIFIER, MONOLITHIC SILICON																	
	APPROVED BY Michael A. Frye																		
	DRAWING APPROVAL DATE 27 MAY 1988	SIZE A	CAGE CODE 67268	5962-87706															
	REVISION LEVEL	SHEET 1 OF 9																	

1. SCOPE

1.1 Scope. This drawing describes device requirements for class B microcircuits in accordance with 1.2.1 of MIL-STD-883, "Provisions for the use of MIL-STD-883 in conjunction with compliant non-JAN devices".

1.2 Part number. The complete part number shall be as shown in the following example:



1.2.1 Device type. The device type shall identify the circuit function as follows:

<u>Device type</u>	<u>Generic number</u>	<u>Circuit function</u>
01	OP17A	JFET-Input, operational amplifier (internally compensated)
02	OP17B	JFET-Input, operational amplifier (internally compensated)

1.2.2 Case outlines. The case outlines shall be as designated in appendix C of MIL-M-38510, and as follows:

<u>Outline letter</u>	<u>Case outline</u>
G	A-1 (8-lead, .370" x .185"), can package
P	D-4 (8-lead, .405" x .310" x .200"), dual-in-line-package

1.3 Absolute maximum ratings

Supply voltage	±22 V dc
Storage temperature range	-65° C to +150° C
Maximum power dissipation (P_D) ^{1/}	500 mW
Lead temperature (soldering, 60 seconds)	+300° C
Junction temperature (T_J)	+150° C
Differential input voltage	±40 V dc
Input voltage	±20 V dc
Output short circuit duration	Indefinite

1.4 Recommended operating conditions

Supply voltage (V_{CC})	±15 V
Ambient operating temperature (T_A)	-55° C to +125° C

^{1/} Derate linearly 6.7 mW/C above $T_A = +75° C$ for P package; derate linearly 7.1 mW/C above $T_A = +80° C$ for G package.

STANDARDIZED MILITARY DRAWING DEFENSE ELECTRONICS SUPPLY CENTER DAYTON, OHIO 45444	SIZE A		5962-87706
		REVISION LEVEL	SHEET 2

2. APPLICABLE DOCUMENTS

2.1 Government specification and standard Unless otherwise specified, the following specification and standard, of the issue listed in that issue of the Department of Defense Index of Specifications and Standards specified in the solicitation, form a part of this drawing to the extent specified herein.

SPECIFICATION

MILITARY

MIL-M-38510 - Microcircuits, General Specification for.

STANDARD

MILITARY

MIL-STD-883 - Test Methods and Procedures for Microelectronics.

(Copies of the specification and standard required by manufacturers in connection with specific acquisition functions should be obtained from the contracting activity or as directed by the contracting activity.)

2.2 Order of precedence In the event of a conflict between the text of this drawing and the references cited herein, the text of this drawing shall take precedence.

3. REQUIREMENTS

3.1 Item requirements The individual item requirements shall be in accordance with 1.2.1 of MIL-STD-883, "Provisions for the use of MIL-STD-883 in conjunction with compliant non-JAN devices" and as specified herein.

3.2 Design, construction, and physical dimensions The design, construction, and physical dimensions shall be as specified in MIL-M-38510 and herein.

3.2.1 Terminal connections and logic diagrams The terminal connections and logic diagrams shall be as specified on figure 1.

3.2.2 Case outlines The case outlines shall be in accordance with 1.2.2 herein.

3.3 Electrical performance characteristics Unless otherwise specified, the electrical performance characteristics are as specified in table I and apply over the full ambient operating temperature range.

3.4 Marking Marking shall be in accordance with MIL-STD-883 (see 3.1 herein). The part shall be marked with the part number listed in 1.2 herein. In addition, the manufacturer's part number may also be marked as listed in 6.4 herein.

3.5 Certificate of compliance A certificate of compliance shall be required from a manufacturer in order to be listed as an approved source of supply in 6.4. The certificate of compliance submitted to DESC-ECS prior to listing as an approved source of supply shall state that the manufacturer's product meets the requirements of MIL-STD-883 (see 3.1 herein) and the requirements herein.

3.6 Certificate of conformance A certificate of conformance as required in MIL-STD-883 (see 3.1 herein) shall be provided with each lot of microcircuits delivered to this drawing.

STANDARDIZED MILITARY DRAWING DEFENSE ELECTRONICS SUPPLY CENTER DAYTON, OHIO 45444	SIZE A		5962-87706
		REVISION LEVEL	SHEET 3

TABLE I. Electrical performance characteristics

Test	Symbol	Conditions 1/ -55°C ≤ T _A ≤ +125°C unless otherwise specified	Device types	Group A subgroups	Limits		Unit	
					Min	Max		
Input offset voltage	V _{OS}	V _{CM} = 0 V	01	4	-0.5	0.5	mV	
				5,6	-0.9	0.9		
		Group C and D end points T _A = 25°C V _{CM} = 0 V		02	4	-1.0	1.0	
		V _{CM} = 0 V			5,6	-2.0	2.0	
		Group C and D end points T _A = 25°C V _{CM} = 0 V			4	-2.0	2.0	
		V _{CM} = 0 V						
Input offset current	I _{OS}	V _S = ±20 V V _{CM} = 0 V	01	1	-10.0	10.0	pA	
				2	-4.0	4.0	nA	
			02	1	-20.0	20.0	pA	
				2	-6.0	6.0	nA	
Input bias current	I _B	V _S = ±20 V V _{CM} = 0 V	01	1	-50.0	50.0	pA	
				2	-5.0	5.0	nA	
		V _S = ±20 V, T _A = 25°C V _{CM} = 0 V Group C and D end points		02	1	-100.0	100.0	pA
		V _S = ±20 V V _{CM} = 0 V			2	-7.5	7.5	nA
		V _S = ±20 V Group C and D end points T _A = 25°C V _{CM} = 0 V			1	-200.0	200.0	pA
		V _S = ±20 V V _{CM} = 0 V						
Common-mode rejection ratio	CMRR	V _{CM} = V _{IR} = ±10.5 V	01,02	1	86		dB	
		V _{CM} = V _{IR} = ±10.4 V		2,3	85			

See footnote on next page.

STANDARDIZED MILITARY DRAWING DEFENSE ELECTRONICS SUPPLY CENTER DAYTON, OHIO 45444	SIZE A		5962-87706
		REVISION LEVEL	SHEET 4

TABLE I. Electrical performance characteristics Continued.

Test	Symbol	Conditions ^{1/} -55°C ≤ T _A ≤ +125°C unless otherwise specified	Device types	Group A subgroups	Limits		Unit
					Min	Max	
Output voltage swing	V _O	R _L = 2 kΩ	01,02	4	-11.0	11.0	V
		R _L = 10 kΩ		5,6	-12.0	12.0	
Large-signal voltage gain	A _{VO}	V _O = ±10 V; R _L = 2 kΩ	01	4	100.0		V/mV
				5,6	35.0		
			02	4	75.0		
				5,6	30.0		
Supply current	I _{CC}		01,02	1		7.0	mA
				2,3		11.0	
Power supply rejection ratio	PSRR	V _S = ±10 V to ±18 V	01,02	1	86		dB
				2,3	85		
Slew rate	SR	T _A = +25°C; A _{CVL} = +5 V	01	7	45.0		V/μs
				02		35.0	
Gain bandwidth product	G _{BW}	T _A = +25°C	01	7	20		MHz
				02		15	

^{1/} Unless otherwise specified V_S = ±15 V; R_S = 50Ω.

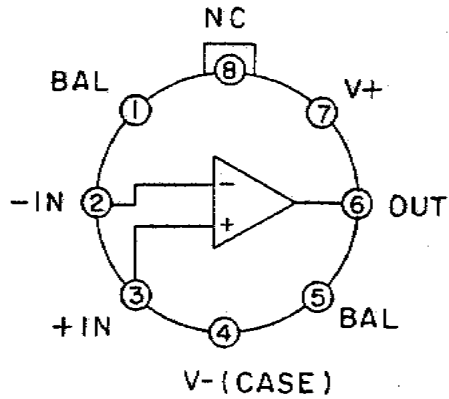
3.7 Notification of change Notification of change to DESC-ECS shall be required in accordance with MIL-STD-883 (see 3.1 herein).

3.8 Verification and review DESC, DESC's agent, and the acquiring activity retain the option to review the manufacturer's facility and applicable required documentation. Offshore documentation shall be made available onshore at the option of the reviewer.

STANDARDIZED MILITARY DRAWING DEFENSE ELECTRONICS SUPPLY CENTER DAYTON, OHIO 45444	SIZE A		5962-87706
		REVISION LEVEL	SHEET 5

Device type 01

Case 6



Case P

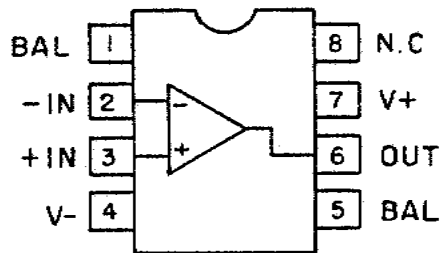


FIGURE 1. Terminal conditions and logic diagrams

STANDARDIZED
MILITARY DRAWING
DEFENSE ELECTRONICS SUPPLY CENTER
DAYTON, OHIO 45444

SIZE
A

5962-87706

REVISION LEVEL

SHEET

6

4. QUALITY ASSURANCE PROVISIONS

4.1 Sampling and inspection Sampling and inspection procedures shall be in accordance with section 4 of MIL-M-38510 to the extent specified in MIL-STD-883 (see 3.1 herein).

4.2 Screening Screening shall be in accordance with method 5004 of MIL-STD-883, and shall be conducted on all devices prior to quality conformance inspection. The following additional criteria shall apply:

- a. Burn-in test, method 1015 of MIL-STD-883.
 - (1) Test condition A, B, C, or D using the circuit submitted with the certificate of compliance (see 3.5 herein).
 - (2) $T_A = +125^\circ\text{C}$, minimum.
- b. Interim and final electrical test parameters shall be as specified in table II herein, except interim electrical parameter tests prior to burn-in are optional at the discretion of the manufacturer.

4.3 Quality conformance inspection Quality conformance inspection shall be in accordance with method 5005 of MIL-STD-883 including groups A, B, C, and D inspections. The following additional criteria shall apply.

4.3.1 Group A inspection

- a. Tests shall be as specified in table II herein.
- b. Subgroups 8, 9, 10, and 11 in table I, method 5005 of MIL-STD-883 shall be omitted.

4.3.2 Groups C and D inspections

- a. End-point electrical parameters shall be as specified in table II herein.
- b. Steady-state life test conditions, method 1005 of MIL-STD-883.
 - (1) Test condition A, B, C, or D using the circuit submitted with the certificate of compliance (see 3.5 herein).
 - (2) $T_A = +125^\circ\text{C}$, minimum.
 - (3) Test duration: 1,000 hours, except as permitted by method 1005 of MIL-STD-883.

STANDARDIZED MILITARY DRAWING DEFENSE ELECTRONICS SUPPLY CENTER DAYTON, OHIO 45444	SIZE A		5962-87706
		REVISION LEVEL	SHEET 7

TABLE II. Electrical test requirements

MIL-STD-883 test requirements	Subgroups (per method 5005, table I)
Interim electrical parameters (method 5004)	1
Final electrical test parameters (method 5004)	1*, 2, 3, 4, 5, 6
Group A test requirements (method 5005)	1, 2, 3, 4, 5, 6, 7
Groups C and D end-point electrical parameters (method 5005)	1

*PDA applies to subgroup 1.

5. PACKAGING

5.1 Packaging requirements The requirements for packaging shall be in accordance with MIL-M-38510.

6. NOTES

6.1 Intended use. Microcircuits conforming to this drawing are intended for use when military specifications do not exist and qualified military devices that will perform the required function are not available for OEM application. When a military specification exists and the product covered by this drawing has been qualified for listing on QPL-38510, the device specified herein will be inactivated and will not be used for new design. The QPL-38510 product shall be the preferred item for all applications.

6.2 Replaceability. Microcircuits covered by this drawing will replace the same generic device covered by a contractor-prepared specification or drawing.

6.3 Comments. Comments on this drawing should be directed to DESC-ECS, Dayton, Ohio 45444, or telephone 513-296-5375.

STANDARDIZED MILITARY DRAWING DEFENSE ELECTRONICS SUPPLY CENTER DAYTON, OHIO 45444	SIZE A		5962-87706
		REVISION LEVEL	SHEET 8

6.4 Approved source of supply An approved source of supply is listed herein. Additional sources will be added as they become available. The vendor listed herein has agreed to this drawing and a certificate of compliance (see 3.5 herein) has been submitted to DESC-ECS.

Military drawing part number	Vendor CAGE number	Vendor 1/ similar part number
5962-8770601GX	06665	OP-17AJ/883
5962-8770601PX	06665	OP-17AZ/883
5962-8770602GX	06665	OP-17BJ/883
5962-8770602PX	06665	OP-17BZ/883

1/ Caution. Do not use this number for item acquisition. Items acquired to this number may not satisfy the performance requirements of this drawing.

Vendor CAGE number

06665

Vendor name and address

Precision Monolithic, Incorporated
 1500 Space Park Drive
 Santa Clara, CA 95050

STANDARDIZED MILITARY DRAWING DEFENSE ELECTRONICS SUPPLY CENTER DAYTON, OHIO 45444	SIZE A		5962-87706
		REVISION LEVEL	SHEET 9