



Politechnika Śląska jako Centrum Nowoczesnego Kształcenia
opartego o badania i innowacje

POWR-03.05.00-00-Z098/17-00

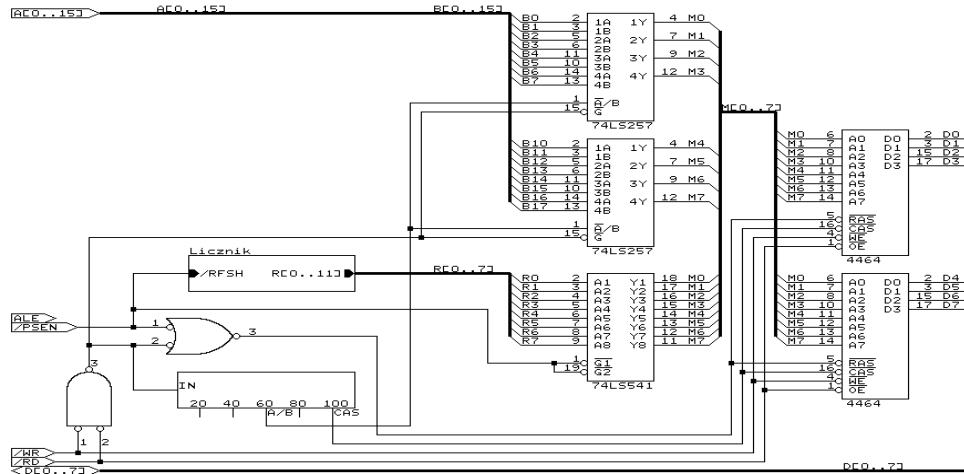
Microprocessor and Embedded Systems

**Faculty of Automatic Control, Electronics and Computer Science /
Informatics, Engineer Degree, sem. 4**

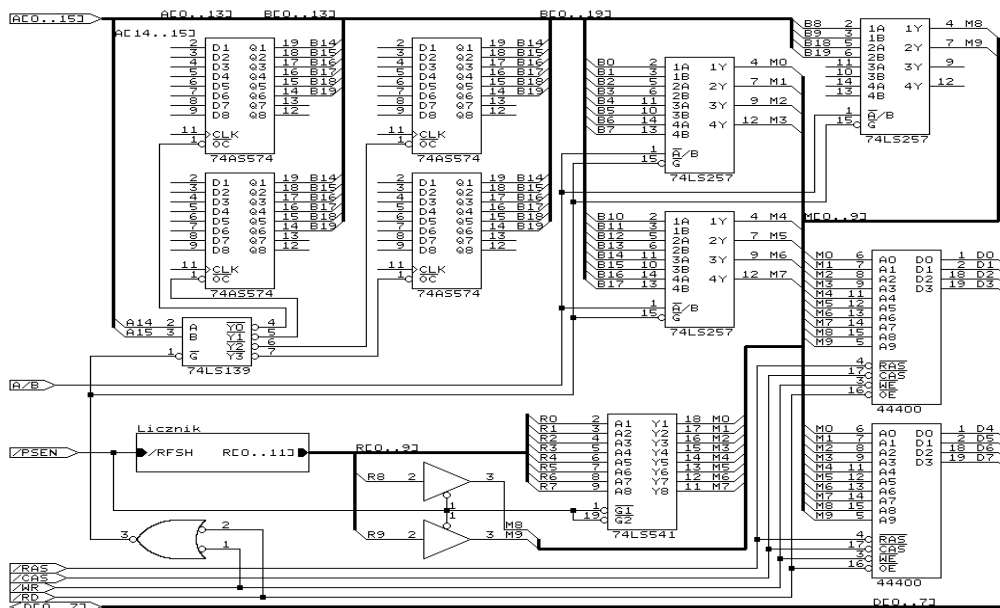
Classes 6 – DRAM memories (part 2)

(example numbers continued from DRAM part 1)

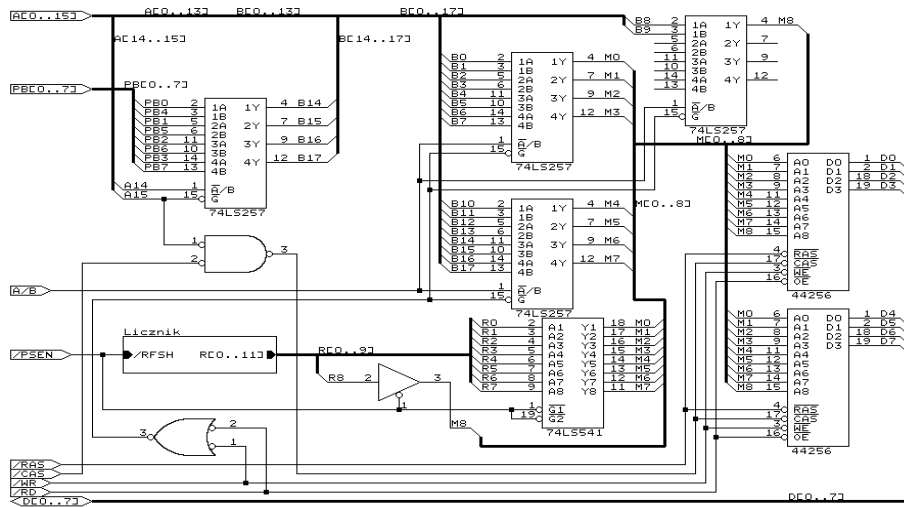
Example 6



Example 7



Example 8



Example 9

