



Politechnika Śląska jako Centrum Nowoczesnego Kształcenia
opartego o badania i innowacje

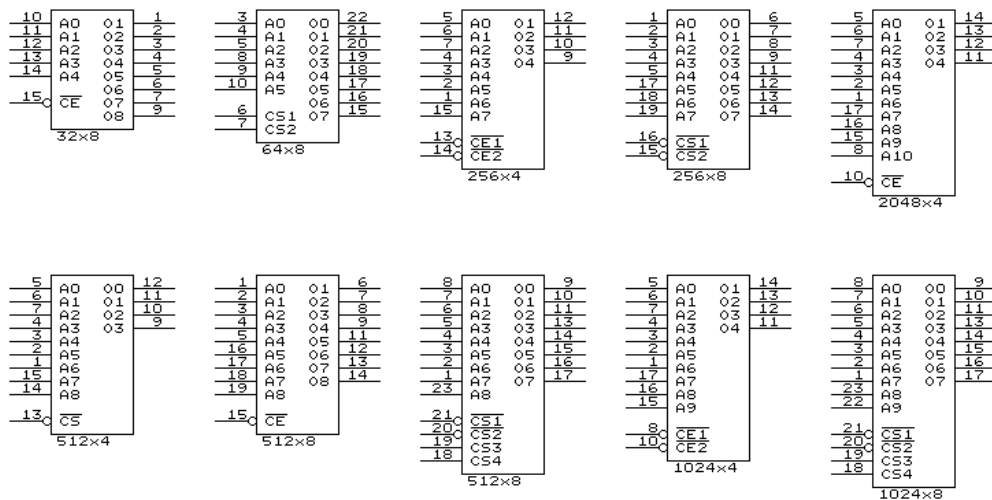
POWR-03.05.00-00-Z098/17-00

Microprocessor and Embedded Systems

**Faculty of Automatic Control, Electronics and Computer Science /
Informatics, Engineer Degree, sem. 4**

Classes 1 – ROM and SRAM memories

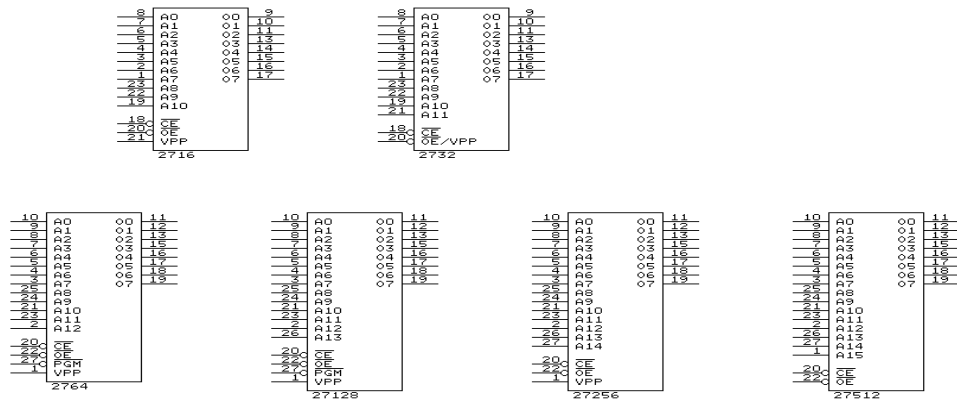
PROM pins



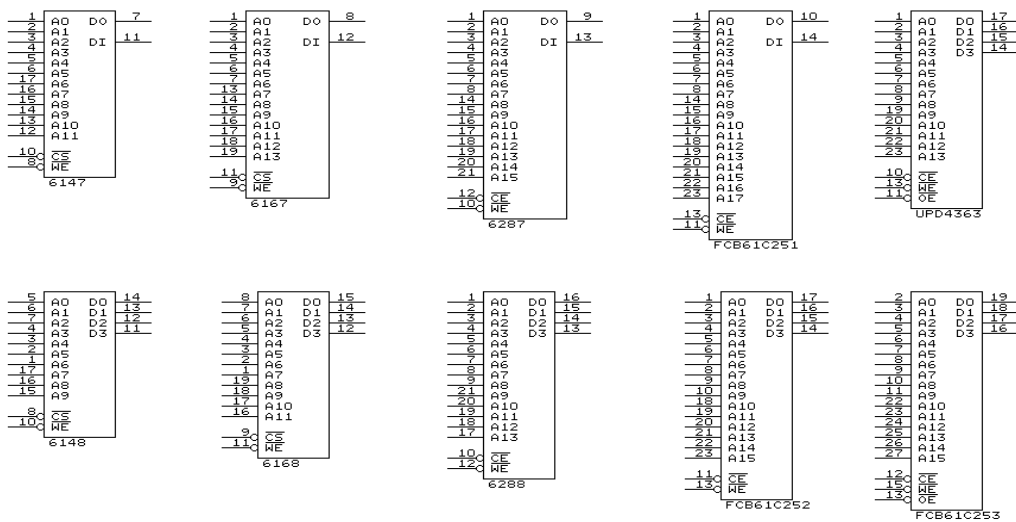
PROM types

Organisation	Open-collector output	Three-state output
32x8	27S08, 74S188, 82S23	27S09, 74S288, 82S123
64x8	82S186	
256x4	27S10, 74S387, 82S126, 3601	27S11, 74S287, 82S129, 3621
256x8	74S470	74S471, 82S114
512x4	74S570, 82S130, 3602	74S571, 82S131, 3622
512x8	74S472, 3604	74S473, 3624
512x8	82S140	82S141
1024x4	74S572, 82S136	74S573, 82S137
1024x8	82S180, 3608	82S181, 82S28
2048x4	82S184	82S185

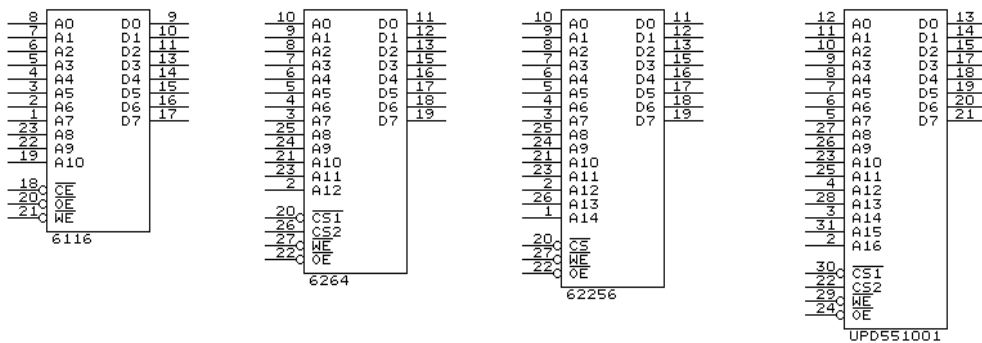
Selected EPROM pins



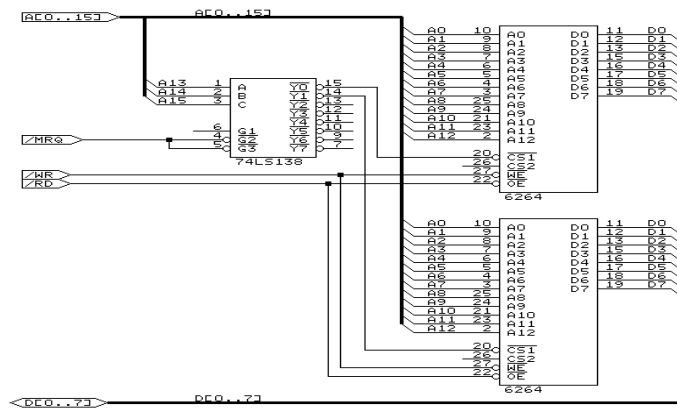
Selected SRAM pins (1-bit and 4-bit words)



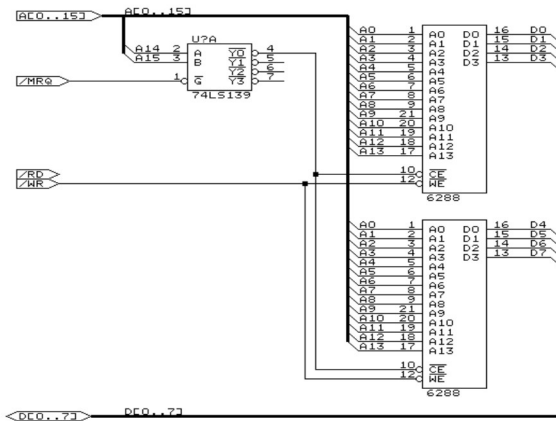
Selected SRAM pins (8-bit words)



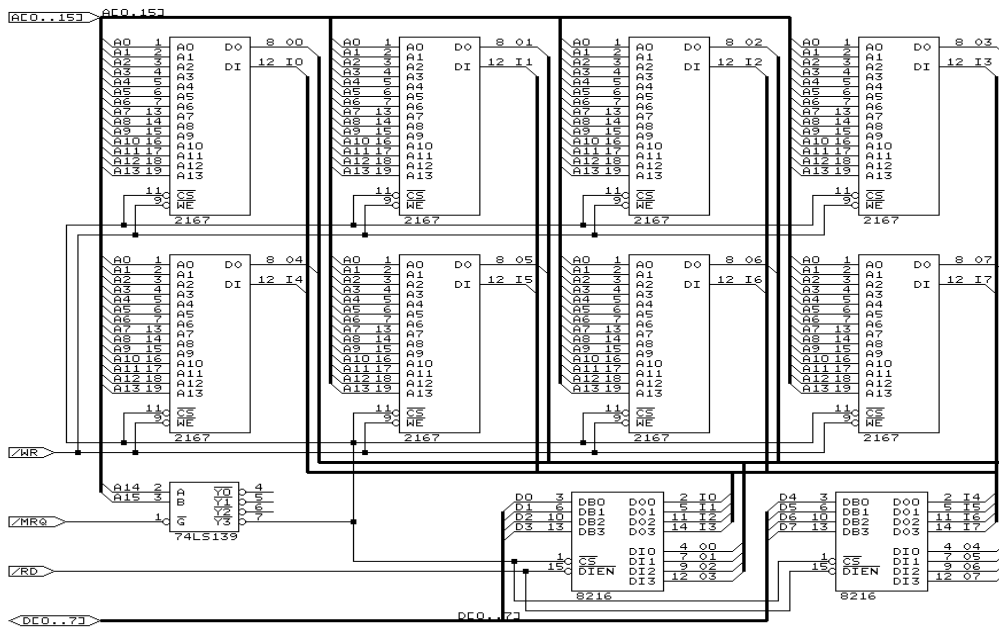
Example 1a



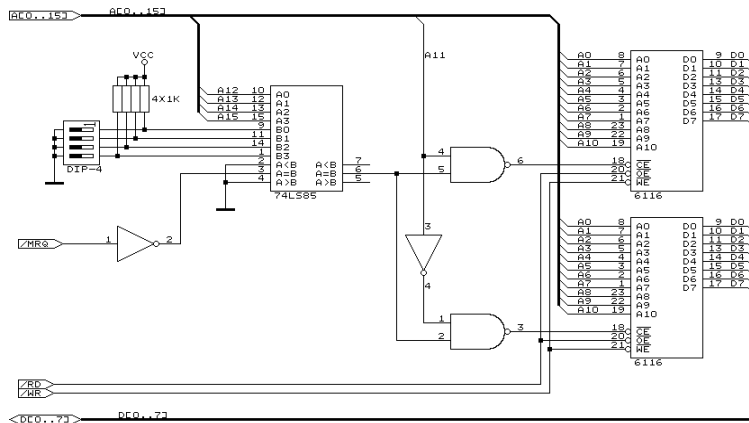
Example 1b



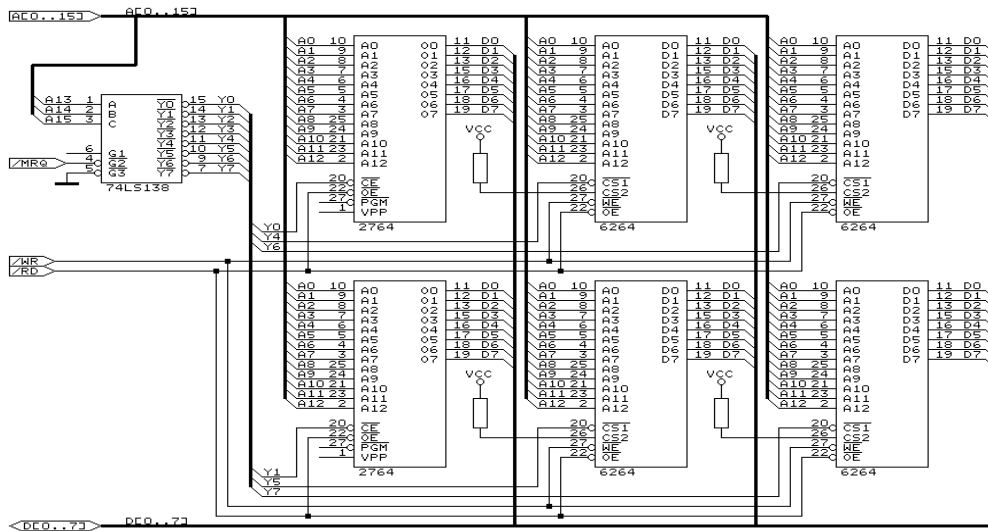
Example 2



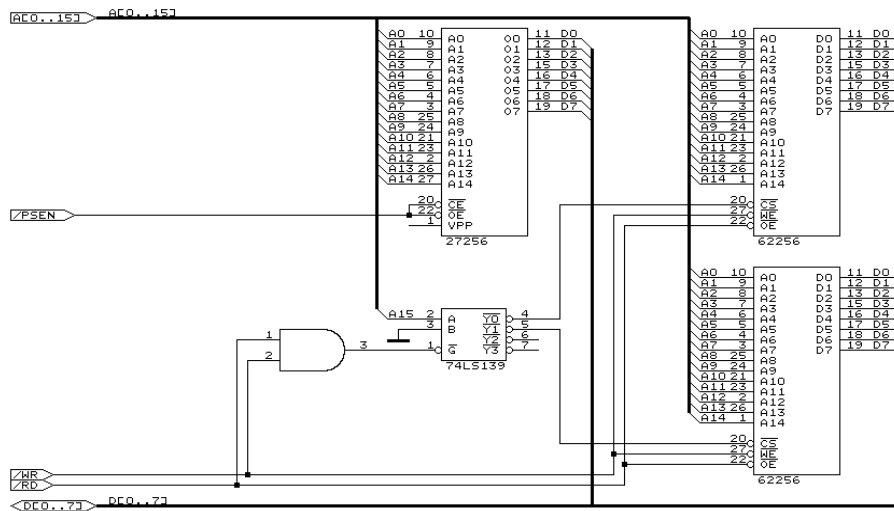
Example 3



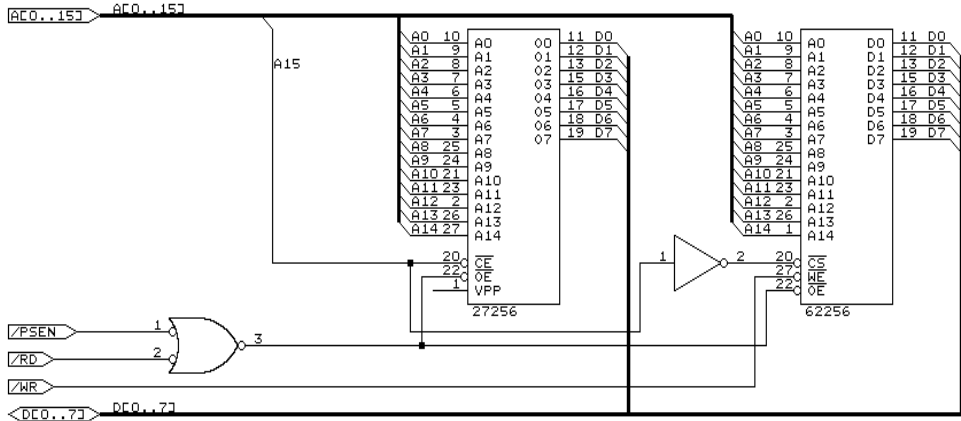
Example 4



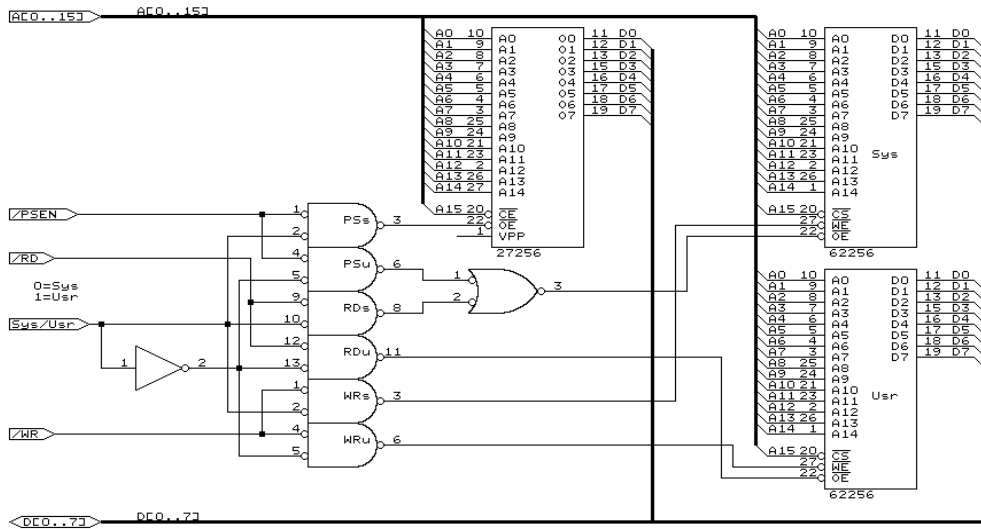
Example 6



Example 7



Example 8



Alternative control units for ex. 8

