



Politechnika Śląska jako Centrum Nowoczesnego Kształcenia
opartego o badania i innowacje

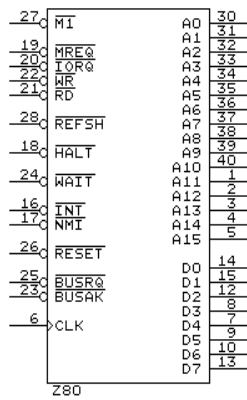
POWR-03.05.00-00-Z098/17-00

Microprocessor and Embedded Systems

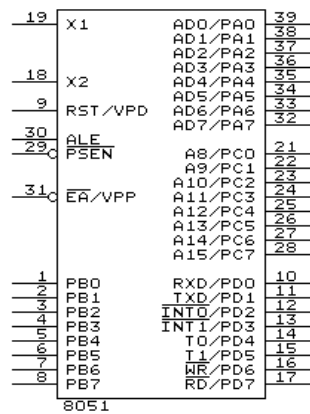
**Faculty of Automatic Control, Electronics and Computer Science /
Informatics, Engineer Degree, sem. 4**

Classes 1 – Central Unit

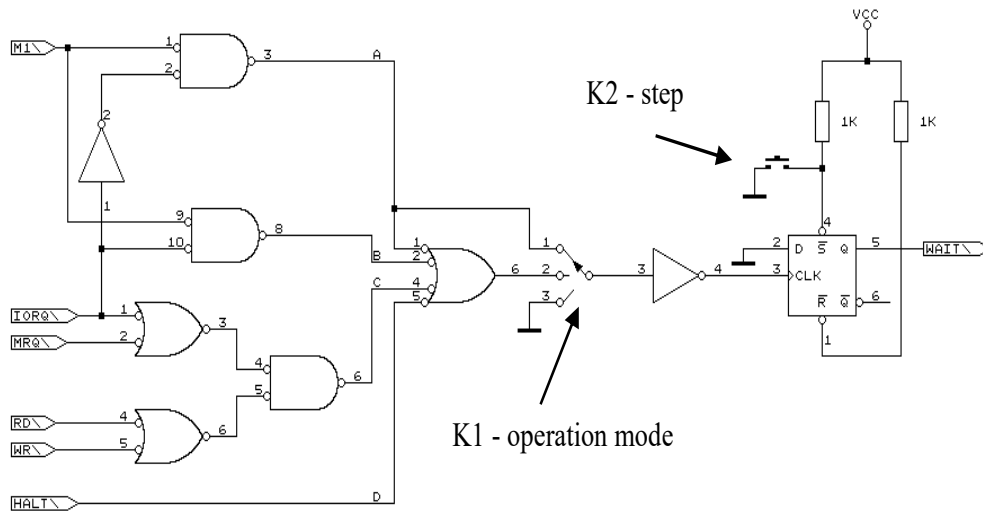
Z-80 pins



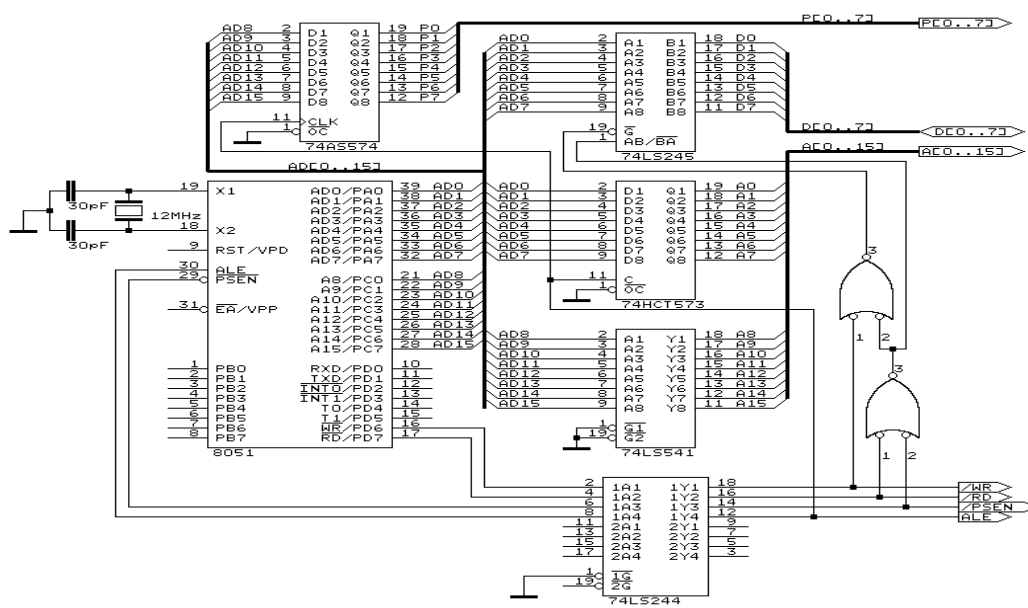
8051 pins



Z-80 single step circuit



8051 buffering (max version)



8051 additional external interrupts

