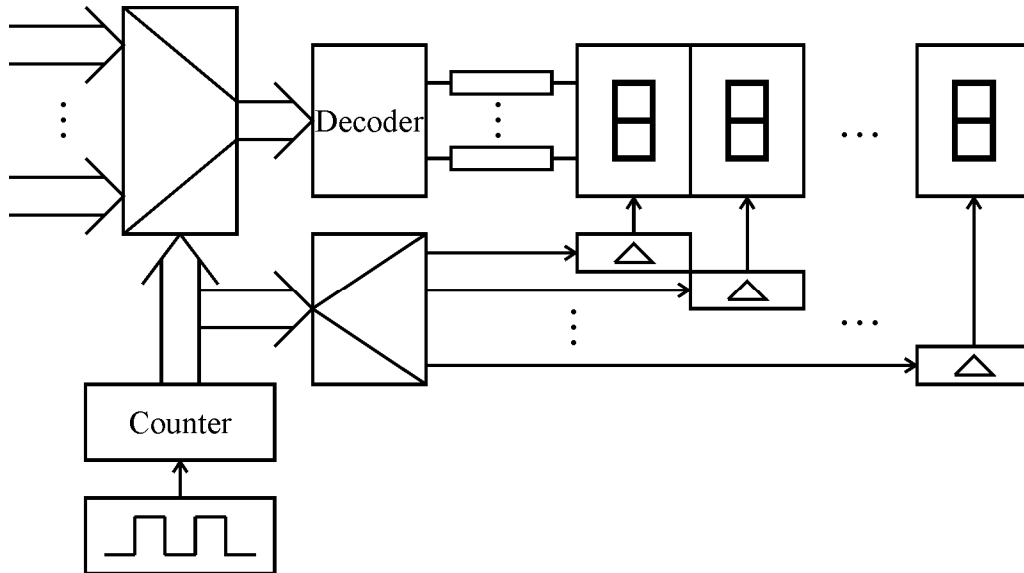
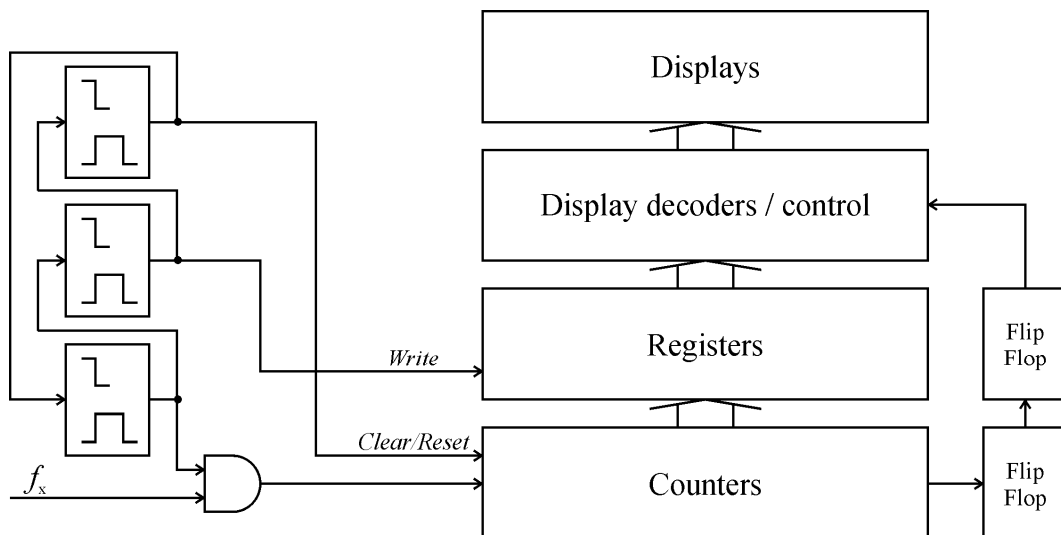


Complex digital circuits

Multiplexed display



Frequency meter



Period meter

